

***Interactive comment on “An effective depression filling algorithm for DEM-based 2-dimensional surface flow modelling” by D. Zhu et al.***

**D. Zhu et al.**

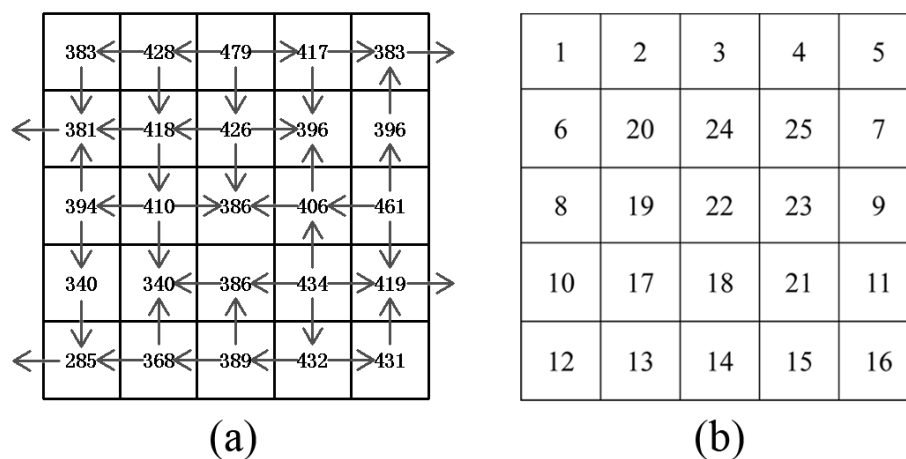
d.zhu@swansea.ac.uk

Received and published: 31 October 2012

Thank you for the comment. The purpose of Fig 5b is to demonstrate the processing order of algorithm on the DEM. And I think the treatment of cells finally performed by MIKE SHE, as you suggest, would be better to replace the 5a instead, showing the 2D flow direction on filled DEM by MIKE SHE.

Interactive comment on Hydrol. Earth Syst. Sci. Discuss., 9, 10011, 2012.

C5031



**Fig. 1.** DEM with depression removal algorithm applied and the relevant processing order

C5032