

Interactive comment on “Flexural behaviour of selected plants under static load” by F. J. Sutuli et al.

F. J. Sutuli et al.

hp.rauch@boku.ac.at

Received and published: 2 June 2010

Final response to the referee 2:

The paper addresses an important subject of bioengineering and the presented results will help in finding appropriate solutions for hindering erosion along rivers in Brazil. Especially the figures are of very good quality and provide a well insight in the results. Finally figure 8 is a very good summary of the study and can serve as good single tool in comparing the different species. However, a major revision of the paper is needed and should take into account the following items: 1) Language The language needs revision by a native English speaking person.

Full Screen / Esc

Printer-friendly Version

Interactive Discussion

Discussion Paper



RESPONSE: The manuscript was professional edited.

2) Structure and contents of the paper It is suggested to add another one or two sentence(s) to the abstract, which more precisely describe the most important results.

RESPONSE: Done In order to get a better overview the equations used should be numbered.

RESPONSE: The equations are numbered in the revised manuscript.

The title of chapter 2 should be changed to "Material and methods".

RESPONSE: Done

The reference in line 2 of page 1472 should be changed to "Fig. 8".

RESPONSE: Done

3) Technical terms A lot of technical terms do not correspond to those being usual along the theory of the strength of material and of applied statics: - breaking load → ultimate load or failure load ... and respectively F_B → F_u - distance between the support points → span - support points → supports - elastic deformation → elastic strain - plastic deformation → plastic strain - breaking deformation → ultimate strain ... and respectively W_B → W_u - maximum resistance (W) → section modulus - breaking stress → modulus of rupture (MOR) ... and respectively B_B → B_u - stress x deformation diagram → stress x strain diagram - 3-point loading test → 3-point bending test - bending device → bending test device - bending point → (plastic) hinge - at rupture point → at rupture, at failure, at ultimate load - limit of rupture / rupture limit → ultimate load

RESPONSE: Thanks a lot to the referee for the comments to technical terms, all the technical are adapted according to the suggestions of the referee Furthermore it is suggested to:

- use the term "density" instead of "specific weight",

Full Screen / Esc

Printer-friendly Version

Interactive Discussion

Discussion Paper



RESPONSE: Done - use the term "proportional limit" not only in Fig. 1 but also in the text (e.g. in line 20 of page 1461),

RESPONSE: Done

- change "moisture content in wood" to "moisture content" only,

RESPONSE: Done

- to change the term "angle of flexibility" to "angle of rotation" since in the ultimate state the specimen is no longer flexible. The term "flexible" can only be used in the elastic range. A similar type of test is described in EN 409 "Timber structures - Test methods: Determination of the yield moment of dowel type fasteners". There the term "rotation angle" is used.

RESPONSE: To avoid misunderstanding we use the term angle of inflection (according to DENARDI, 2007)

- to formally better distinguish between the parameters l (span) and I (moment of inertia) by taking clearly differing symbols or fonts.

RESPONSE: Done

Scientific comments - The MOE-formula on page 1464, line 10 is wrong. In the denominator F_{est} should be replaced by f_{est} . Additionally f_{est} should be called "displacement at proportional limit" since taking any displacement value below the proportional limit would end up in wrong MOE values.

RESPONSE: Done

- It should be made more clear that the tests were carried out in green condition. Weren't they?

RESPONSE: Correct, green conditions

- The source of the formula in line 4 of page 1465 is not clearly obvious. It was cal-

Full Screen / Esc

Printer-friendly Version

Interactive Discussion

Discussion Paper



culated from MOE and β some lines below and therefore represents the strain in the extreme fiber position of the cross-section. This should be explained in more detail. By the way: the correct parameter would be the curvature. However, this would lead to more complex formulas and I agree with the solution taken in the paper since with respect to the potential readers of the paper this is appropriate. However, the matter should be explained in more detail. - The equation in line 20 of page 1465 is wrong. The moment has to be calculated from the force at the support (which is half of the load!) times half the span.

RESPONSE: Correct and revised in the manuscript

Does this take an impact on the MOE values listed in table 1? Should they be doubled and would then the difference to the quoted MOE of European species get smaller?

RESPONSE: No effect on the results of table 1, it was just a typing error

- Does "dry" mean MC = 0%? If yes: please mention this in the text.

RESPONSE: Correct, dry means MC=0%

- When calculating the density, was the volume measured in wet or dry condition? This should be mentioned in the paper since dry and wet volumes differ.

RESPONSE: Volume is measured in wet condition; revised in the manuscript

- The formula in line 16 of page 1467 is wrong. $\tan \alpha$ must be calculated from l divided by $2f$.

RESPONSE: The manuscript was revised to explain the angle of inflection

- In the caption of table 1 it should be added that the coefficient of variation is given in % and that the MOE values represent the green state (wet condition). From the low coefficients of determination it can be concluded that there is in fact no correlation. This should be commented.

Full Screen / Esc

Printer-friendly Version

Interactive Discussion

Discussion Paper

RESPONSE: Done

- The angle α shown in figure 2 does not correspond to the formula in line 16 of page 1467 since the deformation f actually would be the vertical move of the loading head. Hence the diameter d of the specimen should be additionally taken into account and some further (but in fact unknown, since depending on level of load) vertical deformation. Therefore it is suggested to change the red lines in a way that they meet right at the contact between the loading head and the specimen.

RESPONSE: Figure 1 was completely revised (see fig. 1)

- Why in figure 5 a non-linear regression model is used? What type of model was it actually? From the MOE equation on line 21 of page 1464 it can be concluded that it should be a model on base of d^4 . Please explain this in more detail.

RESPONSE: Explanation to the revised Figure: The angle of inflection at the proportional limit does not correlate significantly with diameter. The α_{elast} area in Figure 6 represents the range of the inflection angle at the proportional limit for any species and diameter. Furthermore Figure 6 also shows the relationship between α_u and the diameter. The angle of inflection at the point of rupture reproduces the maximum angle to which a stem or branch of a particular species and diameter can be bent before failure. The results have to be considered as a base to compare the bending ability of the tested species (see fig. 2).

Interactive comment on Hydrol. Earth Syst. Sci. Discuss., 7, 1459, 2010.

Full Screen / Esc

Printer-friendly Version

Interactive Discussion

Discussion Paper



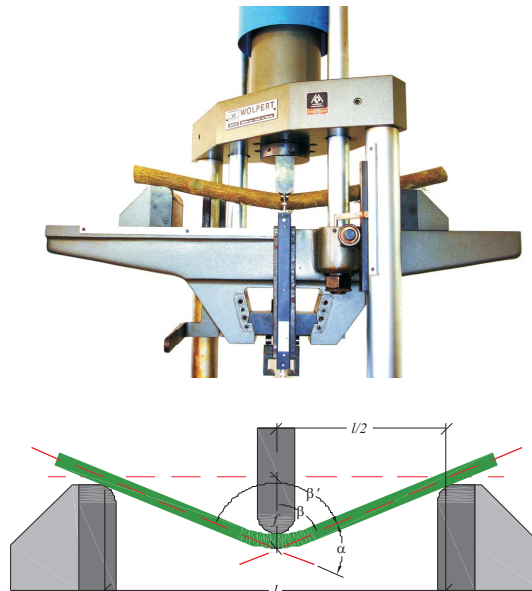


Fig. 1. Fig. 1: Photography and bending diagram, indicating the variables used in calculating the angle of inflection (α).

Interactive
Comment

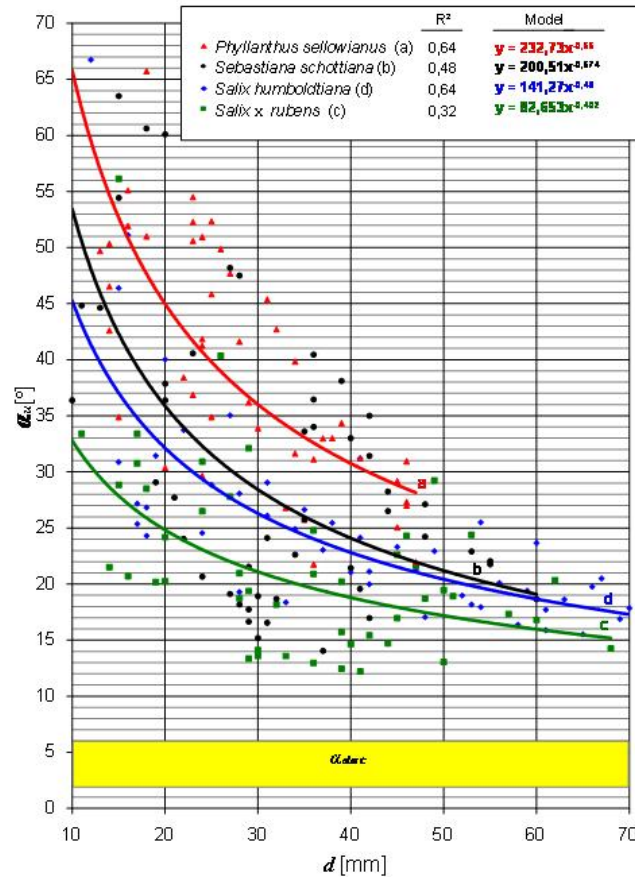


Fig. 2. Fig. 5: Relationship between the diameter (d) and the angle of inflection at rupture (α_u). The band at the bottom of the graph shows the area of distribution of the angles of inflection at the propert

Full Screen / Esc

Printer-friendly Version

Interactive Discussion

Discussion Paper

