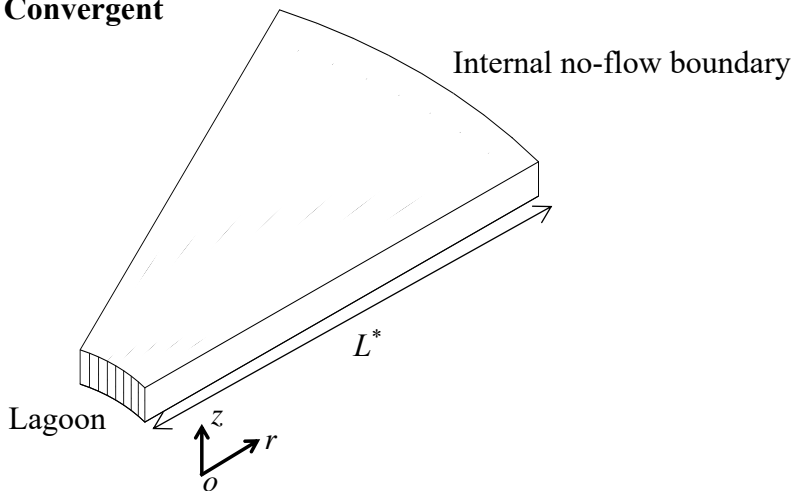
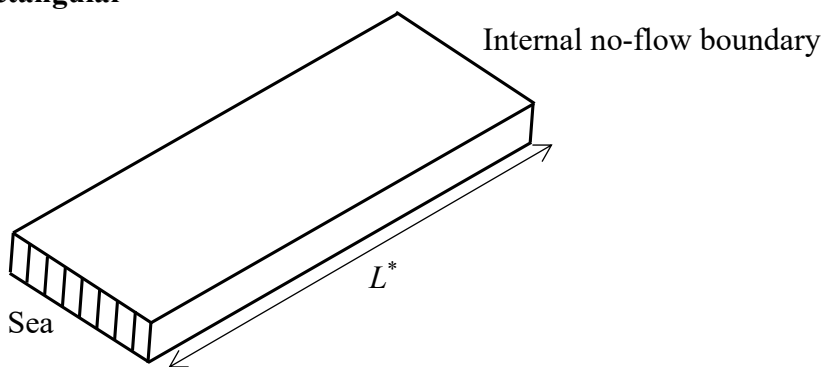


(a) Convergent



(b) Rectangular



(c) Divergent

