

Input



Conv2D 3x3 64

BatchNorm

ReLU

ConvBlock  
F=(64, 64, 256)

IdentityBlock  
F=(64, 64, 256)

ConvBlock  
F=(128, 128, 512)

IdentityBlock  
F=(128, 128, 512)

ConvBlock  
F=(128, 128, 512)

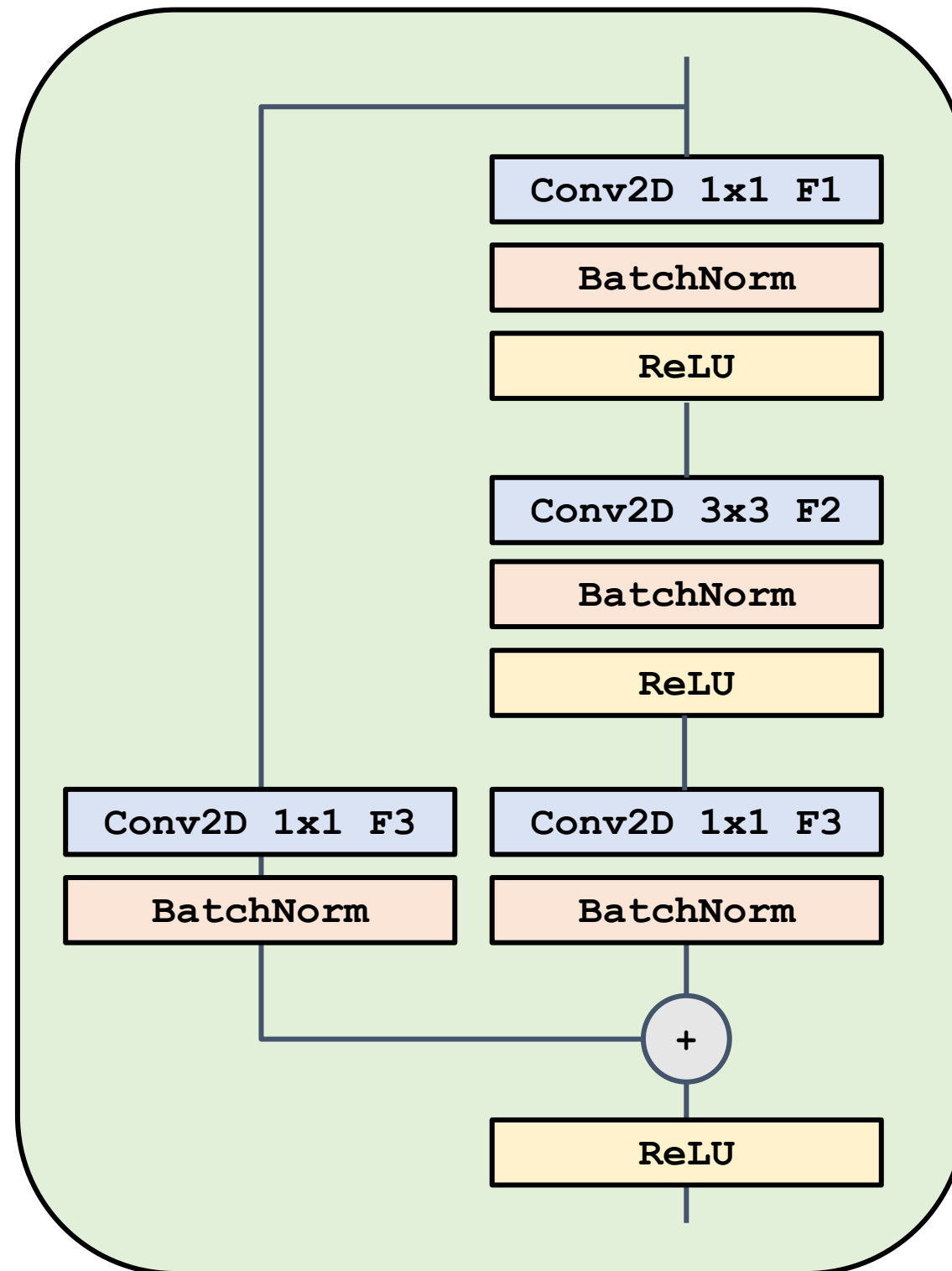
IdentityBlock  
F=(128, 128, 512)

Conv2D 1x1 B

GlobalAvgPool

if B>1:Softmax

ConvBlock



IdentityBlock

