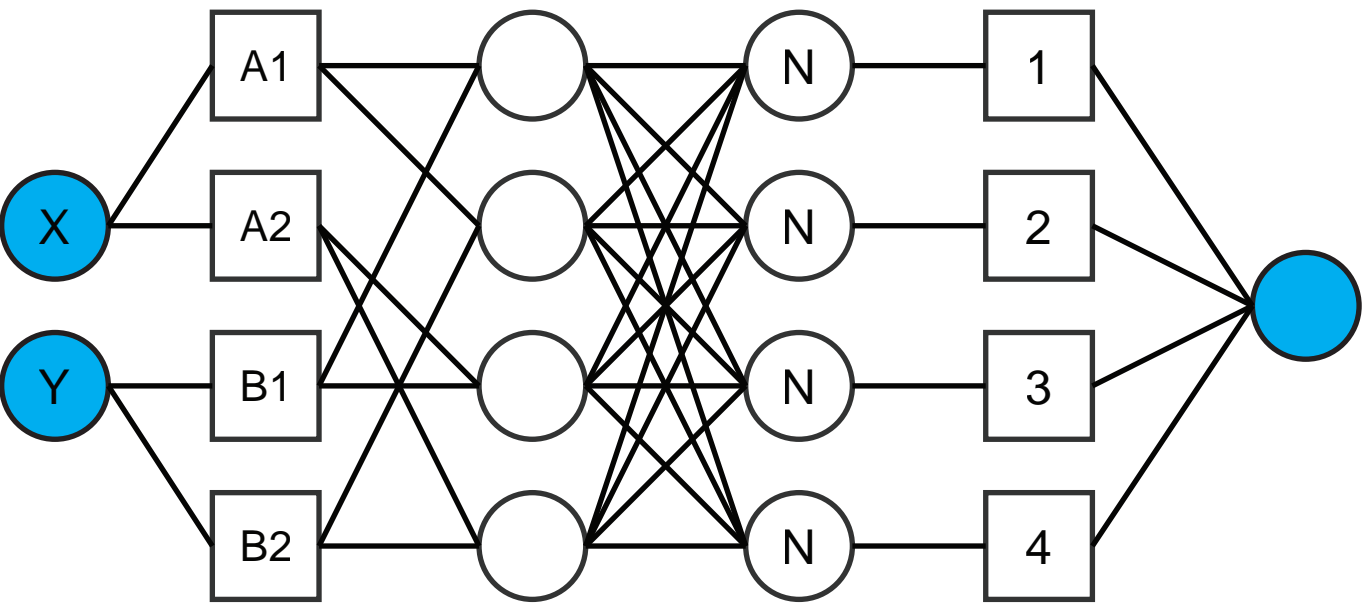


Fuzzification      Firing strength      Consequence      Aggregation



Input

1. Membership

2. Firing strength

3. Normalization

4. Implication

5. Output